



TVBRLCD-RO

LCD Television Wall Bracket

Assembly & Installation Instructions

Parts Included:

- A** x 1 Wall Bracket
- B** x 1 Masking Plate
- C** x 5 Washers
- D** x 1 Long Wall Bolt
- E** x 3 Nuts
- F** x 1 Short Arm Also includes (not shown)
LCD Screen Mounting
- G** x 1 Long Arm Screws:
4 x M4 Screws
4 x M5 Screws
- H** x 2 Bolt Cover
- I** x 1 Arm Bolt
- J** x 1 Mount Plate Grasp
- K** x 1 Mount Plate
- L** x 1 Mount Plate Bolt

Missing Parts? Do not return product.
Please call the ROSS Helpline for spare parts.

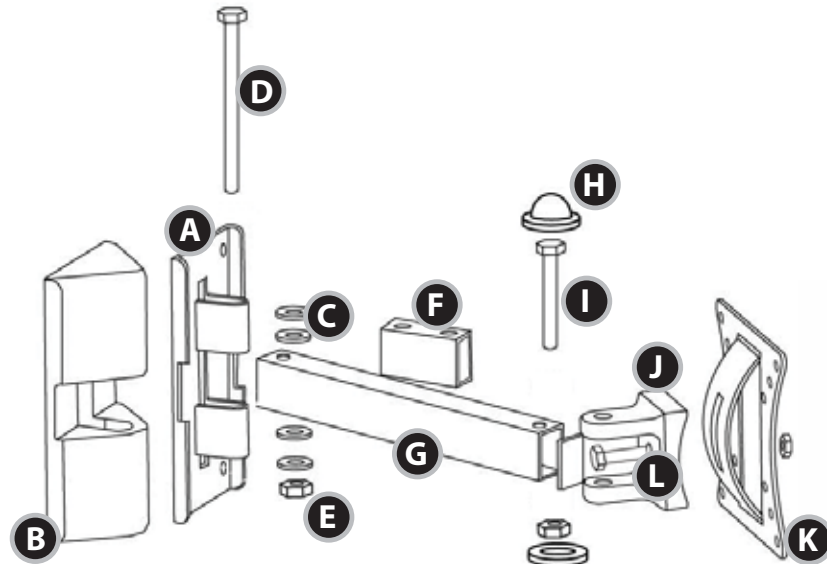


fig. 1

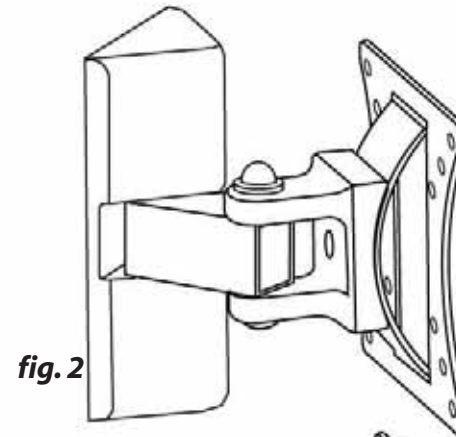


fig. 2

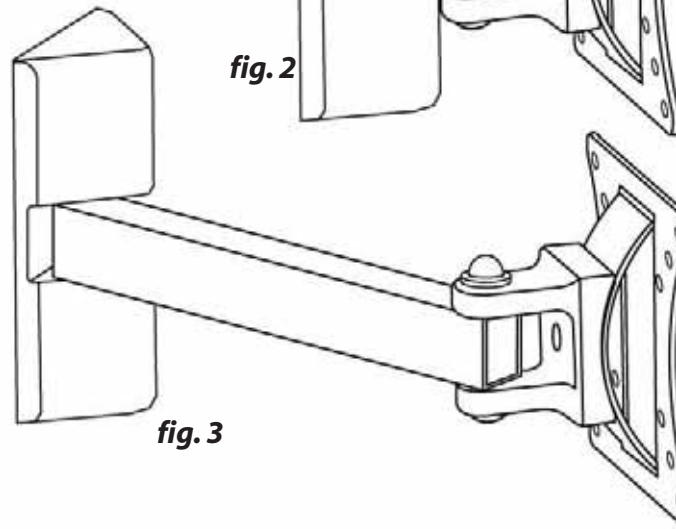


fig. 3

Assembly & Installation Instructions

- 1** Using part A as a template, fix the television bracket to the wall. Suitable wall fixings (*not supplied*) should be used for the application.
- 2** Assemble the unit as shown in *fig.1*. The distance of the television from the wall can be altered by using part F (*fig.2*) for a close fit or part G (*fig.3*) for an extended fit.
- 3** Mount the television on the bracket. (Fixings vary from to TV to TV)
- 4** Part K can be adjusted to alter the vertical aspect of the screen. Tighten using a 14mm Spanner.
***Warning:** Do not fully unscrew - This could result in damage / injury.

Mounting Options



Solid Wood



Brick Work

X NOT SUITABLE FOR Plasterboard walls
(unless screwing on to the stud partition)

- Fixings to fit the bracket to the wall are not included.
- Choose suitable mounting fixings that have sufficient holding strength for the chosen mounting option.
- Always check for hidden power cables & pipes before commencing work.

If in doubt seek professional advice.



Ross Helpline: 0800 1695560